

FRONT AND REAR BUSHING KITS (STANDARD PARTS)

ITEM	DESCRIPTION
1	Bushing Assembly
3	Pin
5	Shim Washer

ITEM	DESCRIPTION
6	Shackle Side Bar
7	Flat Washer
8	Hex. Head Cap Screw

ITEM	DESCRIPTION
9	Hex. Head Locking Nut
10	Grease Fitting
11	Lock Washer

ITEM	DESCRIPTION
12	Collar

REAR KIT WITH STANDARD SIDE BARS (SMOOTH BUSHING IN HANGER BRACKET)

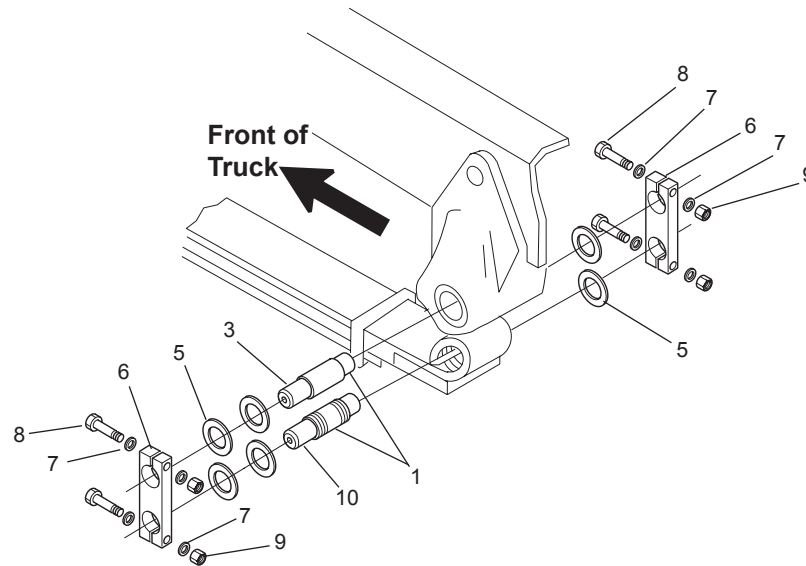


Figure 4

FRONT KIT ON BRACKET WITH LOCKING CAPS

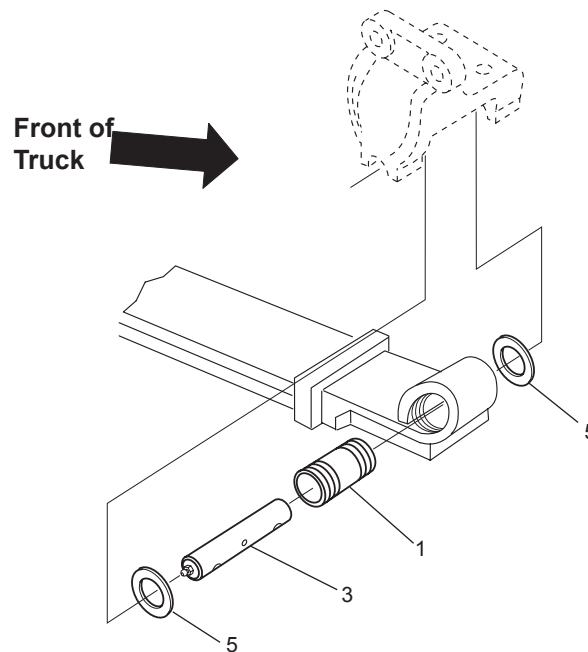


Figure 5