

GENERAL SPECIFICATIONS (ORDERING INFORMATION)

SELECTING A ROLLER BUSHING

See pages 5-7 for application tables.

1. Locate truck manufacturer in the header and/or MFR. column.
2. Locate side bar centerline width in the SIDE BAR C/L TO C/L column (See Diagram D, Page 4).
3. Locate the width of the spring in the SPRING WIDTH column (See Diagram C, Page 4).
4. Locate the O.D. of the bushing in the BUSHING O.D. column. See the proper columns for bushing O.D. EYE and HANGER information.
5. Locate the REAR SHACKLE and FRONT ANCHOR information in the respective columns. The KIT numbers are shown as well as FIGURE numbers for pictorial representations on pages 7-10.
6. Maximum axle ratings appear in the MAX. AXLE RATING column.
7. Additional application information is specified in the COMMENTS column.

Order the Horton roller bushing kit listed.

NOTE: In most cases, Horton roller bushing pins will be a different size than standard pins.

When you have identified the proper model, confirm it with your Horton distributor or dealer when placing your order.

FRONT AND REAR BUSHING APPLICATIONS

BLUEBIRD - GMC

MFR	SIDE BAR C/L TO C/L	SPRING WIDTH	BUSHING O.D.		REAR SHACKLE (1 per side)		FRONT ANCHOR (1 per truck)		MAX. AXLE RATING	COMMENTS	
			EYE	HANGER	KIT	FIGURE P. 7-10	KIT	FIGURE P. 7-10			
FORD / J / S / T / E / R / L / L / I / N / G F R E I G H T L I N E R G M C	BLUE BIRD	7.75	4.00	1.50	1.50	994534	4	-	-	20,000	-
	-	-	-	1.71	-	994528	-	-	-	20,000	Ford hanger bracket (F7HT 5338 AA) & Horton roller bushing only
	-	-	-	1.71	-	994529	-	-	-	20,000	Ford hanger bracket (F8HT 5338 BA) & Horton roller bushing only
	-	-	-	1.71	-	994567	-	-	-	20,000	Ford hanger bracket (F7HT 5338 BA) & Horton roller bushing only
	3.75	4.00	1.25	1.25	994519	1	-	-	12,000	Steel side bars	
	5.25	4.00	2.25	2.25	994524	4	-	-	20,000	-	
	3.75	4.00	1.25	1.25	994438	1	-	-	12,000	Aluminum side bars. 2 ribbed bushings	
	4.75	4.00	1.25	1.25	994477	1	-	-	12,000	-	
	4.62	4.00	1.25	1.25	994439	1	-	-	12,000	2 ribbed bushings.	
	4.69	4.00	1.42	1.42	994503	1	-	-	16,000	-	
	-	4.00	1.50	-	-	-	994434	6	20,000	Replacement of OEM installed bronze bushing in heavy duty suspension. Currently, nothing offered to retrofit standard suspension with factory installed bronze bushing.	
	3.50	4.00	1.50	1.50	994533	1	-	-	20,000	Steel side bars. Replacement of OEM installed bronze bushing in the heavy-duty or standard suspension	
	4.75	4.00	1.50	1.50	994507	1	-	6	20,000	Ford Aero - 1994 & Later	
	-	4.00	1.70	-	994510	-	994509	6	20,000	Straight pin. Does not use collar as pictured in Figure 6. Pin length 6.90". Replacement of OEM installed Horton bushing in heavy-duty suspension.	
	-	4.00	1.70	-	994510	-	994510	6	20,000	Straight pin. Does not use collar as pictured in Figure 6. Pin length 6.65". Replacement of OEM installed Horton bushing in standard suspension.	
	-	-	-	1.71	994597	-	-	-	20,000	Ford hanger bracket (F6HT-5335-CA) & Horton roller bushing only.	
	5.25	4.00	2.25	2.25	994524	4	-	-	20,000	For HX chassis.	
	4.25	4.25	1.38	1.38	994424	4	-	-	16,000	-	
	5.25	3.50	1.50	1.50	994404	4	994487	6	20,000	-	
	5.25	4.00	1.50	1.50	994408	4	994434	6	20,000	-	
5.25	4.00	1.50	1.63	994409	4	994434	6	20,000	-		
4.13	4.00	1.50	1.63	994410	4	994434	6	20,000	-		
4.13	4.00	1.50	1.50	994475	4	994434	6	20,000	112 heavy-duty		
5.25	3.50	1.61	1.50	994485	4	-	-	20,000	To 1982 cab over w/ #16-11265 spring		
5.25	3.50	1.63	1.50	994406	4	994488	6	20,000	-		
5.25	3.50	1.63	1.63	994407	4	994488	6	20,000	-		
5.25	4.00	1.63	1.63	994411	4	994489	6	20,000	-		
5.25	4.00	2.25	2.25	994524	4	-	-	20,000	Century - 1996 & newer		
-	4.00	1.50	1.50	994603	4	-	-	20,000	No side bars. Hanger width 3.50".		
3.50	3.00	1.69	1.69	994420	4	-	-	20,000	-		
3.50	4.00	1.69	1.69	994421	4	-	-	20,000	-		

If you are unable to locate an application that meets your specifications, see Page 4.

5

ABBREVIATIONS USED THROUGHOUT THIS CATALOG

C/L = Center Line	Hex. = Hexagon	Max. = Maximum
C.O.E. = Cab Over Engine	I.D. = Inner Diameter	w/ = with
MFR. = Manufacturer	O.D. = Outer Diameter	w/o = without
GMC = General Motors Corp	OEM = Original Equipment Manufacturer	

GENERAL SPECIFICATIONS (ORDERING INFORMATION)

Call Horton Customer Service at 1-800-621-1320 and provide them with the following information. Horton will make every effort possible to meet your application specifications.

Hanger Bracket Width _____

Spring Width _____

Bushing Width _____

Center Line Distance _____

DIAGRAM A

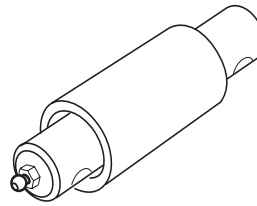
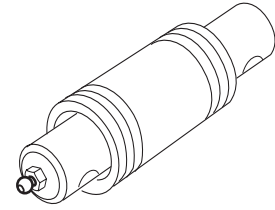
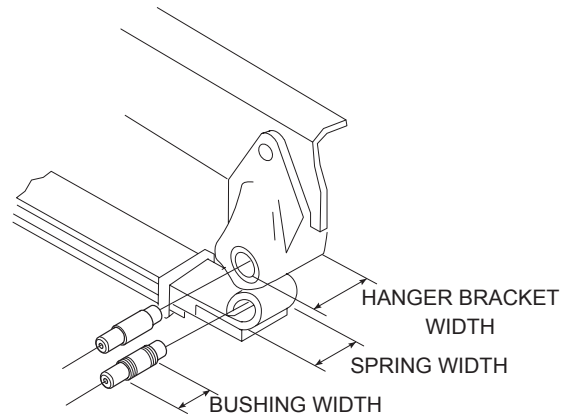


DIAGRAM B



Smooth Roller Bushing Ribbed Roller Bushing

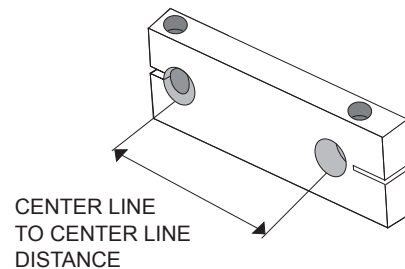
DIAGRAM C



MAXIMUM AXLE RATINGS	
PIN SIZE (INCHES)	POUNDS
0.8125	12,000
0.8750	16,000
1.0000	20,000
1.2500	20,000

KITS REQUIRED PER TRUCK	
QUANTITY	KIT
2	Rear Shackle
1	Front Spring Pin

DIAGRAM D



NOTE: Some Horton roller bushing kits use a ribbed bushing for spring eye applications. In most cases, the bushing used in the hanger bracket will be smooth (See Diagrams A and B).

DO NOT use a spring eye expander for the installation of ribbed roller bushings (See Diagram B).