

FRONT AND REAR BUSHING KITS (STANDARD PARTS)

ITEM	DESCRIPTION	ITEM	DESCRIPTION	ITEM	DESCRIPTION	ITEM	DESCRIPTION
1	Bushing Assembly	6	Shackle Side Bar	9	Hex. Head Locking Nut	12	Collar
3	Pin	7	Flat Washer	10	Grease Fitting		
5	Shim Washer	8	Hex. Head Cap Screw	11	Lock Washer		

FRONT KIT ON BRACKET WITH STEP PIN AND COLLAR

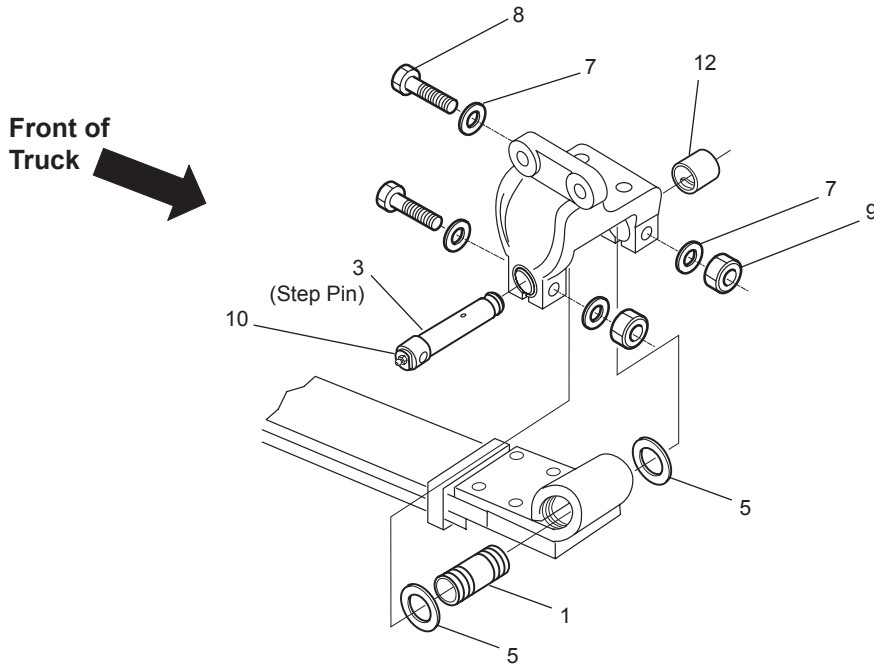
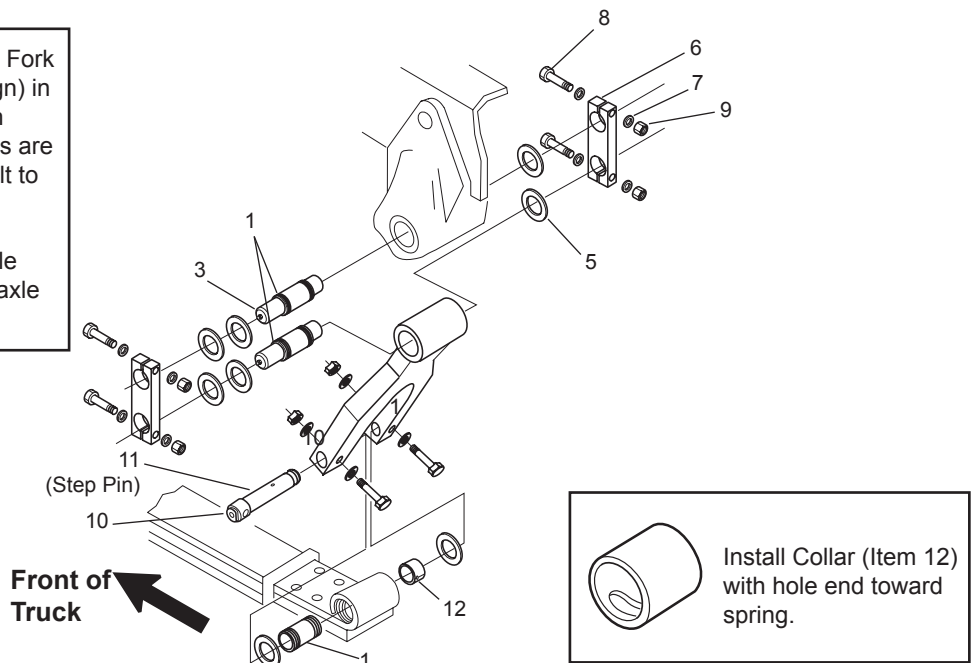


Figure 6

PETERBILT AIR RIDE PIN AND BUSHING KIT

NOTE: Spread on Yoke Fork must be 4.25" (new design) in order to install the Horton roller bushing. Retrofit kits are available through Peterbilt to update to current design.

23-13297 Set-forward axle
23-13298 Set-backward axle



Install Collar (Item 12) with hole end toward spring.

Figure 7